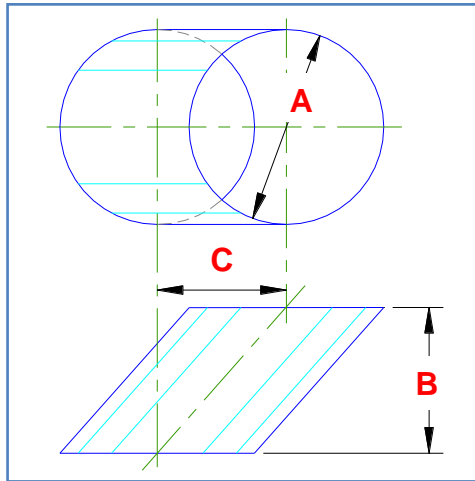


Client Name:		Contact Phone:
Date:	This item ID:	References PO No:
Authorised by:		Signature:
Purchase order to show quantities and date required. PO to reference This Item ID		

Oblique Cylinder - Height and Offset

An oblique cylinder when the height and the offset distance is known.



An oblique cylinder consists of the transition between two pipes of equal size whose center lines are offset from each other.

Note: Each end forms a true circle.

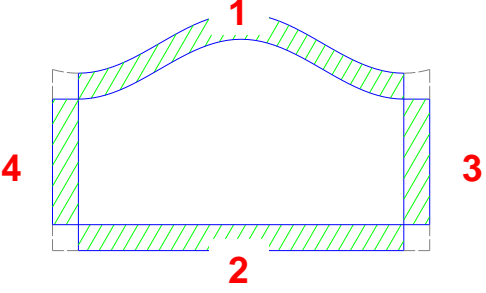
Dimension	Description	Your dimension
A	<i>Base Diameter</i>	
B	<i>Height</i>	
C	<i>Offset</i>	

Units of measure (mm, m, inch, etc):				
My dimensions are measured at the (tick one) :		Inside 	Mean 	Outside
Material Type:		Material Thickness:		

ALL information in this document must be completed to produce a pattern.

For further information contact details are at www.plate-n-sheet.com.au.

Client Name:		Contact Phone:
Date:	This item ID:	References PO No:
Authorised by:		Signature:
Purchase order to show quantities and date required. PO to reference This Item ID		

Lap Details				
Are overlap allowances to be added to pattern?:		YES <input type="radio"/>	NO (butt joined) <input type="radio"/>	
If YES complete table below				
	Lap Number	Lap size	Notch Angle	
	Lap 1:			
	Lap 2:			
	Lap 3:			
	Lap 4:			
If corners are notched (as shown above) complete Notch Angle column. For example, No notch = 0 or blank, as shown = 90				

Other Settings	
Number of press lines	Number divisible by 4 (default = 24)

ALL information in this document must be completed to produce a pattern.

For further information contact details are at www.plate-n-sheet.com.au.